

**Pressure gauges with Bourdon tube
and glycerine filling
stainless steel case
according to EN 837-1**



Diameter 100 and 160
connection position radial bottom,
or eccentric back

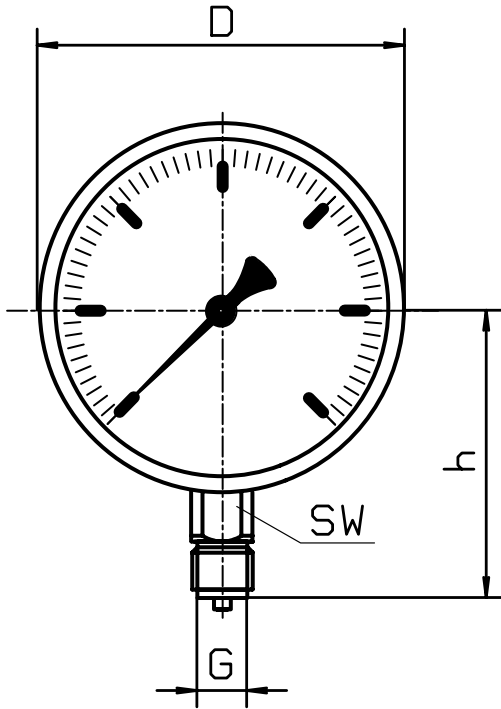


For measuring tasks where strong mechanical vibrations or pressure pulses may arise. The glycerine filling provides smooth pointer motion, thus ensuring an accurate reading even under extreme load and strong vibration conditions. Furthermore, the lubricating action of the glycerine or silicone oil offers an effective counter against extreme wear.

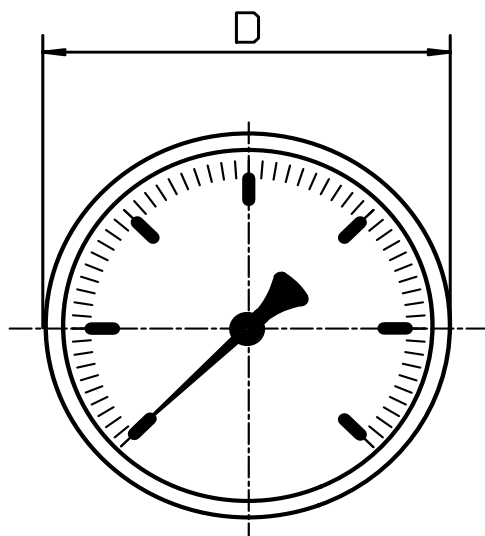
Types	7781	7791	7801	7811	Options
Diameter	100		160		
Symbol					
Accuracy class	1,0 acc. to DIN EN 837-1				
Ranges	0...0,6 to 0...1600 bar negative or positive gauge pressure				MPa, kPa
Applications	constant load: up to the end of scale value alternating load: Up to 0,6 x end of scale value short time: 1,3 x overload capacity				up to 2 x
Case	stainless steel 1.4301 (with Blowout)				
Ring	stainless steel 1.4301, Bayonet ring				rear or front flange
Window	flat instrument glass				safety glass or pexiglass
Dial	Al white, Scale and printing black				dual scale
Pointer	Al black				max. indicator/marker pointer
Movement	CuZn-alloy				
Measuring element	Cu-alloy to 40 bar, over 40 bar stainless steel				
Pressure connection	CuZn-alloy to 1000 bar, over 1000 bar stainless steel 1.4571				
Pressure position	radial bottom	eccentric back	radial bottom	eccentric back	
Pressure thread	G 1/2 B, M20x1,5				others on request
Temperatures	Medium: -20°C to 80°C, ambient: -25°C to 60°C				special solder 130°C
Protection	IP 65 acc. to EN 60529/IEC 529				
Orifice					dmr. 0,3; dmr. 0,4; dmr. 0,8
Approx. Weight	0,9 kg	0,9 kg	2,1 kg	2,1 kg	

Types 7781, 7791, 7801, 7811

Types	Dimensions in mm							
	NG	a	b	b1	D	G	h	sw
7781	100	15	49	-	101	G 1/2 B	85	22
7791	100	-	49	85,5	101	G 1/2 B	-	22
7801	160	21	52	-	160	G 1/2 B	118	22
7811	160	-	52	92	160	G 1/2 B	-	22



Types 7781/7801



Types 7791/7811

